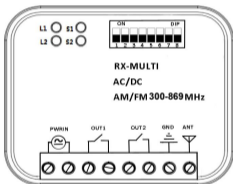


# RX MULTI-V1.0

---

## MANUAL RX MULTI 300 TO 868 MHz

### 1. RX Multi drawing



# RX MULTI

---

## 2. Brand selector

With 8 DIPs switches, the user can make different combinations for different remote brands. The brands selection is shown below in table 1.

## 3. Learn Button and LED

In RX Multi receiver, there are 2 independent channels. Each channel has independent learn button S1, S2 and L1, L2 corresponding LED. This receiver can memorize up to 250 remotes.

## 4. Power Input Selector

The RX Multi can work at input AC/DC 12 V ~ 30 V. However, it's better to change the jumper according to the power supply. If the input is over 24 V, shorten pin 2&3; shorten 1&2 if input is less than 24 V ( See image from section 8).

## 5. Exchangeable Memory Card

The memory card can be removed from board to insert in a different receiver; this way the user can preserve all the remotes learned in the memory card. See image from section 8.

## 6. Entry one button or remote:

1. First, select the correct brand for remote that will be entry (by dip switch) following table 1.
2. Press the learn button (S1 or S2), the corresponding LED turns on.
3. Press the button on the remote, the LED L1 or L2 flashes 4 times, this remote button entered the RX Multi successfully.

Repeat steps 2 and 3 for another button.

## 7. Erase all data in memory card:

Pressing and holding any learn button, the LED starts flashing. Keep pressing this button until the LED turns off. All data in the memory card will be erased permanently.

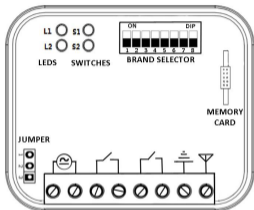
**Notice: Be carefully at erasing all data in the memory card. The data will be erased permanently and cannot be recovered.**

## 8. Details picture

Location of LEDs, buttons, DIP selector, memory card and jumper.

# RX MULTI







---












# RX MULTI

1	<p>1 2 3 4 5 6 7 8</p>	NICE FLORS	433.92 MHz	
2	<p>1 2 3 4 5 6 7 8</p>	MARANTEC	433.92 MHz	
3	<p>1 2 3 4 5 6 7 8</p>	Universal Fixed Code Código Fijo	433.92 MHz	Fixed Code
4	<p>1 2 3 4 5 6 7 8</p>	FAAC SLH Rolling Code	433.92 MHz	
5	<p>1 2 3 4 5 6 7 8</p>	Liftmaster	315 MHz	
6	<p>1 2 3 4 5 6 7 8</p>	Liftmaster	390 MHz	
7	<p>1 2 3 4 5 6 7 8</p>	Liftmaster	433.92 MHz	















# RX MULTI

8	<p>1 2 3 4 5 6 7 8</p> 	Universal Rolling Open Code	433.92 MHz	Open Code
9	<p>1 2 3 4 5 6 7 8</p> 	Universal Rolling Open Code	315 MHz	Open Code
10	<p>1 2 3 4 5 6 7 8</p> 	Universal Rolling Code ASK	868 MHz	Open Code
11	<p>1 2 3 4 5 6 7 8</p> 	Universal Rolling Code FSK	868 MHz	Open Code
12	<p>1 2 3 4 5 6 7 8</p> 	Universal Fixed Code Código Fijo	300 MHz	Fixed Code
13	<p>1 2 3 4 5 6 7 8</p> 	Universal Fixed Code Código Fijo	310 MHz	Fixed Code







# RX MULTI

14	<p>1 2 3 4 5 6 7 8</p> 	<p>Universal Fixed Code Código Fijo</p>	315 MHz	Fixed Code
15	<p>1 2 3 4 5 6 7 8</p> 	<p>Universal Fixed Code Código Fijo</p>	318 MHz	Fixed Code
16	<p>1 2 3 4 5 6 7 8</p> 	<p>Universal Fixed Code Código Fijo</p>	330 MHz	Fixed Code
17	<p>1 2 3 4 5 6 7 8</p> 	<p>Universal Fixed Code Código Fijo</p>	390 MHz	Fixed Code
18	<p>1 2 3 4 5 6 7 8</p> 	<p>Universal Fixed Code Código Fijo</p>	868 MHz	Fixed Code
19	<p>1 2 3 4 5 6 7 8</p> 	<p>Liftmaster Rolling Code Billioncode</p>	390 MHz	
20	<p>1 2 3 4 5 6 7 8</p> 	<p>Liftmaster Rolling Code</p>	315 MHz	

# RX MULTI

21	<p>1 2 3 4 5 6 7 8</p> 	<p><b>Hormann Marantec Berner</b></p>	868 MHz	
22	<p>1 2 3 4 5 6 7 8</p> 	<p><b>FAAC SLH</b></p>	868 MHz	
23	<p>1 2 3 4 5 6 7 8</p> 	<p><b>Prastel</b></p>	433.92 MHz	
24	<p>1 2 3 4 5 6 7 8</p> 	<p><b>Sommer</b></p>	868.80 MHz	
25	<p>1 2 3 4 5 6 7 8</p> 	<p><b>Sommer</b></p>	434.4 MHz	
26	<p>1 2 3 4 5 6 7 8</p> 	<p><b>Liftmaster Rolling Code</b></p>	868.30 MHz	
27	<p>1 2 3 4 5 6 7 8</p> 	<p><b>Clemsa Mastercode</b></p>	433.92 MHz	

# RX MULTI

28	<p>1 2 3 4 5 6 7 8</p> 	DITEC	433.92 MHz	
29	<p>1 2 3 4 5 6 7 8</p> 	MARANTEC	868.30 MHz	
30	<p>1 2 3 4 5 6 7 8</p> 	JCM GO	868.3 MHz	

**NOTA:** para dar de alta el mando de la marca FAAC en el RX MULTI seguir los siguientes pasos:

- 1- Presionar al mismo tiempo los canales 2 y 3 del mando de FAAC, el mando comenzará a parpadear.
- 2- Presionar en el RX MULTI en canal donde se grabará el mando. El led se queda fijo.
- 3- Presionar varias veces el botón del mando de FAAC que quiera grabar.

**NOTE:** For to register the FAAC remote; in the RX MULTI we must to follow the next steps:

- 1- press the channels 2 and 3 the FAAC remote the same time, the remote start to blink.
- 2- Press in the RX MULTI the channel where you want copy the remote. The led stays fixed.
- 3-Press several time the button the FAAC remote what usted want to copy.





